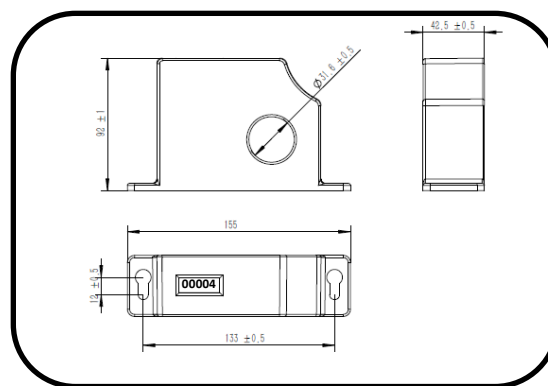


Passive Lightning Event Counter



Dimension

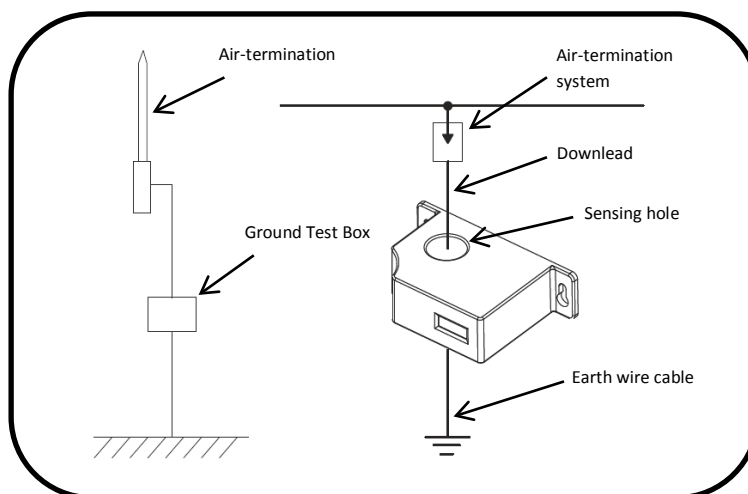
Passive Lightning event counter is used for registering the direct lightning event.

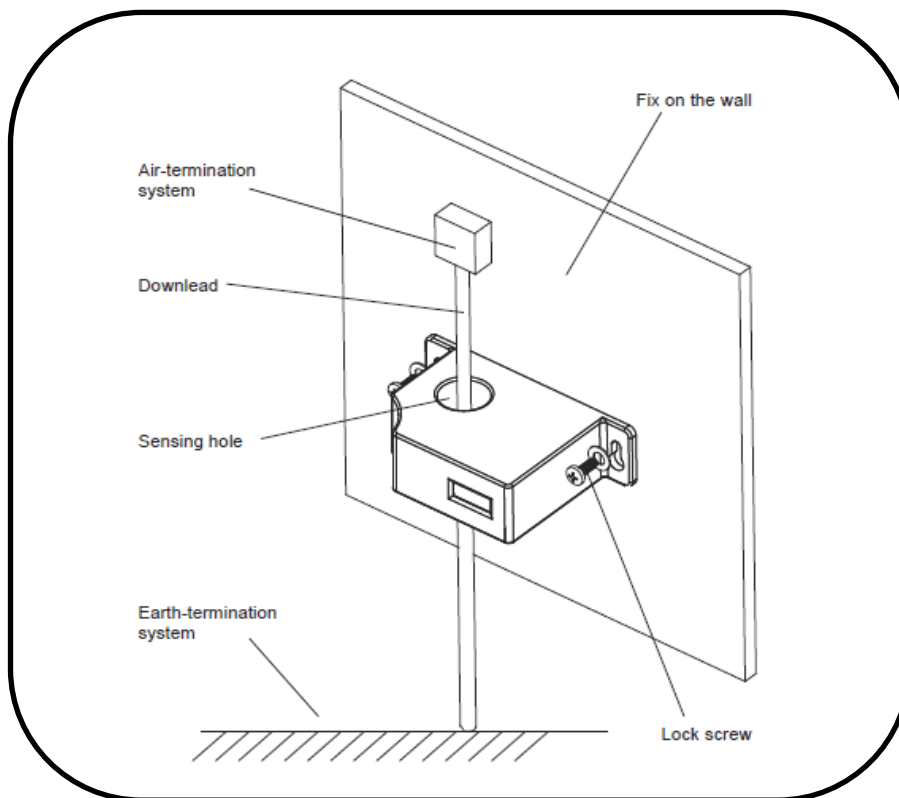
- Long service life due to no battery need
- Sensitive response with trigger current 500A
- Can register very high lightning strike up to 200kA 8/20
- 32mm through hole, easy to install and use, a simple insertion of the down conductor
- IP67 enclosure with UV resistant & anti-aging plastic for out-door installation
- Mechanical count, 6 digit display

Technical Data

Model No.	S-LEC-P
Counting Current (rise time $\geq 8\mu\text{s}$)	<500A
Sequence of impulse	> 1s
Display Model	Electromechanical digital display
Indicator	Lightning Event 0-999999
Current Sample Mode	Inductive Probe (Built-in)
Working mode	No battery need
Operation temperature ($^{\circ}\text{C}$)	-20--+60
Dimension of window (mm)	32
Dimension of counter (mm)	155x92x42.5
Enclosure materia	ASA, UV resistant & Anti-aging plastic, UL94-V0
Degree of protection	IP67
Weight (kg)	0.6 kg

Installation





Ordering information	
Model No.	S-LEC-P
Part No.	107003
Packing unit	1 pc(s).

Contact us

You can find the address of your local sales organisation on the home page



www.sefco.co.th



www.sefco23.com



LINE



Facebook



WeChat



WhatsApp

SEFCO - Tel. : +66 (0) 3811 9780-2

SEFCO - Fax. : +66 (0) 38 119 783