

## Metal Sheet Clamp Support Type A



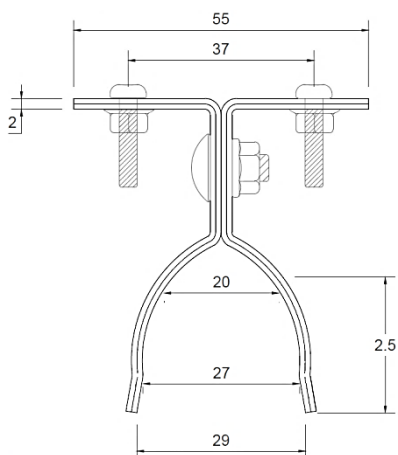
Hold tape conductors to metal roof

Material : Body-Stainless Steel

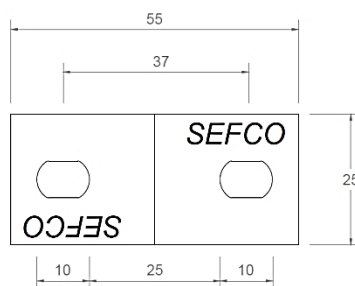
Bolt - Stainless Steel

Model.	Material	Weight (kg)
S-MSC-A	Stainless Steel	0.12

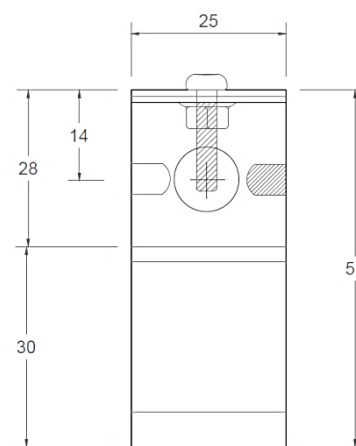
### Dimension Drawing



Front view

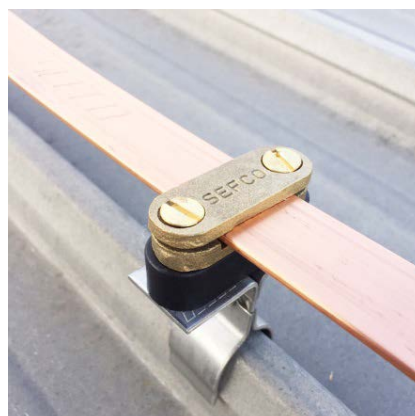


Top view



Side view

### Installation



Ordering information	
Model	S-MSC-A
Part No.	121401
Packing unit.	1 pc(s).

## Contact us

You can find the address of your local sales organisation on the home page



[www.sefco.co.th](http://www.sefco.co.th)



[www.sefco23.com](http://www.sefco23.com)



LINE



Facebook



WeChat



WhatsApp

SEFCO - Tel. : +66 (0) 3811 9780-2

SEFCO - Fax. : +66 (0) 38 119 783